



# INSTALLATION & OPERATION MANUAL

---

## ELECTRIC CONVECTION OVENS

MODELS: WC4E



TECHNICAL SERVICE AND PARTS ASSISTANCE - US: 1-800-814-2028 | CANADA: 1-800-444-4764

For additional information, or to locate an authorized parts and service provider in your area, visit [wolfequipment.com](http://wolfequipment.com)

Wolf is a division of ITW Food Equipment Group | 3600 North Point Blvd., Baltimore, MD 21222

F51058 Rev. B (09/01/2023)

# Installation, Operation and Care of ELECTRIC CONVECTION OVENS

## KEEP THESE INSTRUCTIONS FOR FUTURE USE

Your Electric Convection Oven is produced with quality workmanship and material. Proper installation, usage and maintenance of your oven will result in many years of satisfactory performance.

The manufacturer suggests that you thoroughly read this entire manual and carefully follow all of the instructions provided.

## GENERAL

The Electric Convection Ovens feature a 500°F thermostat, timer, porcelain interior and a two-speed, 1/2 HP blower motor as standard equipment. Ovens equipped with standard voltages are 208 or 240 V, 60 Hz, single- or three-phase.

The Oven is a single cavity oven furnished with five racks. Independently opening doors are standard; simultaneously opening doors with chain mechanism underneath are optional. Oven lights with on-off switch are standard on all models.

An open stand with lower storage rack is available as an option.

Stacked ovens are furnished with either Stacking Kit 426983G1 (8" LEGS) or Stacking Kit 426984G1 (CASTER) for mounting one oven on top of the other.

Additional racks are available as accessories.

Features of the models are shown below:

### FEATURES & OPTIONS

Model	Oven Interior Depth	Oven Exterior Depth	Thermostat	Timer	Legs with Feet	Legs with Casters	Stand with Rack & Feet	Stand with Rack & Casters	Stack Kit with Legs*	Stack Kit with Casters*
Standard Electric	26 1/2" (67.3cm)	41 1/2" (105.4cm)	Solid State	1 Hr. Dial	Std.	Opt.	Opt.	Opt.	Opt.	Opt.

\* With Two Stacked Ovens Only.

# INSTALLATION

## UNPACKING

Immediately after unpacking the oven, check for possible shipping damage. If the oven is found to be damaged, save the packaging material and contact the carrier within 15 days of delivery.

Prior to installation, verify that the electrical service agrees with the specifications on the oven data plate, located on the inside of the top front cover.

Do not use the doors or their handles to lift the oven.

## LOCATION

The installation location must allow adequate clearances for servicing and proper operation. For solid state and digitally controlled models, there must be 18" (45 cm) of clearance on the right side of the oven from any open flame.

## INSTALLATION CODES AND STANDARDS

In the United States, install the oven in accordance with: 1) State and local codes; 2) National Electrical Code, NFPA-70 (latest edition) and 3) NFPA Standard #96, Vapor Removal from Cooking Equipment (latest edition), available from National Fire Protection Association, Batterymarch Park, Quincy, MA 02269.

In Canada, install the oven in accordance with: 1) Local codes; 2) Canadian Electrical Code, CSA Standard C22.2 No. 1 (latest edition) and 3) Canadian Standard for Commercial Cooking Equipment CSA Standard C22.2 No.109 (latest edition).

## INSTALLING BASIC OVEN

The basic oven must be installed on legs or mounted on a modular stand. Installations on concrete bases or other supports restricting air circulation underneath the oven is not advisable and may void the warranty. If using the modular stand, set the oven on the stand after unpacking.

## ASSEMBLING THE LEGS TO THE SINGLE OVEN

The legs must be installed on the bottom of the oven. Gently position the oven on its left side, taking care not to cause scratches or damage.

Attach each of the four leg assemblies to the bottom of the oven with the 24 bolts and lockwashers (six bolts and lockwashers per leg). Carefully raise the oven to its normal position.

## LEVELING

Adjust the legs to ensure that the oven racks are level in the final installed position.

## CASTERS

If the oven is to be installed on casters, assemble the casters to the legs provided. Then attach the caster-leg units to the oven at each corner using the 24 bolts and lockwashers (six bolts and lockwashers per leg). Place the locking casters on the front legs and nonlocking casters on the rear legs.

## ASSEMBLING THE STAND TO THE OVEN

Attach each of the four leg assemblies to the bottom of the oven with the 24 bolts and lockwashers (six per leg). Carefully raise the oven to the normal position.

Attach the undershelf to the legs with eight bolts and lockwashers (two per leg).

Install the rack guides into the shelf at the desired locations (for pans or racks), then attach the rack supports to the top end of the rack guides. Attach rack supports to the leg assembly by removing one middle bolt and reattaching the back through the end holes in the rack support (Fig. 2).

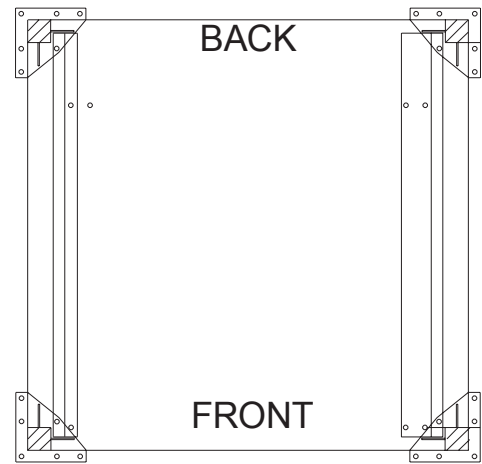


Fig. 2

## ELECTRICAL CONNECTIONS

**⚠ WARNING** ELECTRICAL AND GROUNDING CONNECTIONS MUST COMPLY WITH THE APPLICABLE PORTIONS OF THE NATIONAL ELECTRICAL CODE ANSI/NFPA70 (LATEST EDITION) AND/OR OTHER LOCAL ELECTRICAL CODES.

**⚠ WARNING** DISCONNECT ELECTRICAL POWER SUPPLY AND PLACE A TAG AT THE DISCONNECT SWITCH TO INDICATE THAT YOU ARE WORKING ON THE CIRCUIT.

Remove the wiring compartment cover on the front of the oven. Remove the appropriate knockout on the bottom of the oven and attach the power supply conduit to the bottom of the oven.

Comply with the appropriate wiring diagram (located inside the right side panel) when making connections to the electrical supply lines.

Replace the wiring compartment cover and right side panel. Turn on the power supply.

## ELECTRICAL DATA

	TOTAL KW	208-240V 3-PHASE LOADING			NOMINAL AMPERES PER LINE WIRE							
		KW PER PHASE			3-PHASE						1-PHASE	
		L1-L2	L2-L3	L1-L3	208V			240V			208 V	240 V
					L1	L2	L3	L1	L2	L3		
SINGLE OVEN	12.5	4	4	4.5	35	33	35	33	29	33	60	52
STACKED OVENS	25	8	8	9	70	66	70	66	58	66	120	104

## ASSEMBLING STACKED OVENS

Unpack the ovens and the stack kits. Position the oven to be used as the bottom oven on its left side for access to the oven bottom, taking care not to scratch or damage it.

Attach the four leg or caster assemblies with the 24 bolts and lockwashers (six per leg).

Place the lower oven (with legs or casters) on the floor and remove two  $\frac{7}{16}$ " (11 mm) diameter knockouts on each side of the top exterior panel. Remove knockout from top oven base.

Install two locating studs to the bottom of the top oven per stacking kit instructions.

Move the oven with legs or casters to the installed position. Place the upper oven on top of the lower oven using the locating studs.

Remove the optional rear panel, if provided, from the TOP oven. Remove top oven vent guard. Install the Stacking Flue (Fig. 3) with the four screws provided. Replace the top oven rear panel, if provided.

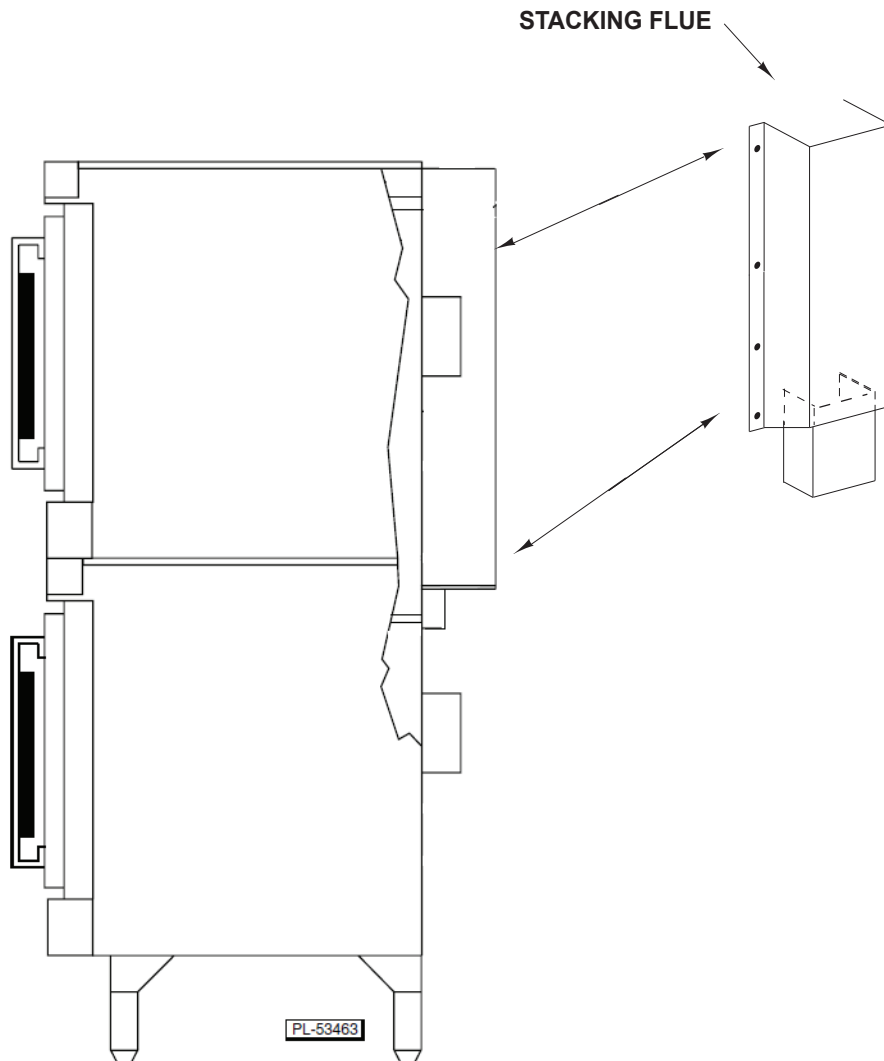


Fig. 3

## ELECTRICAL CONNECTIONS (Stacked Ovens)

**⚠ WARNING** ELECTRICAL AND GROUNDING CONNECTIONS MUST COMPLY WITH THE APPLICABLE PORTIONS OF THE NATIONAL ELECTRICAL CODE AND/OR OTHER LOCAL ELECTRICAL CODES.

**⚠ WARNING** DISCONNECT ELECTRICAL POWER SUPPLY AND PLACE A TAG AT THE DISCONNECT SWITCH TO INDICATE THAT YOU ARE WORKING ON THE CIRCUIT.

Make sure that the electrical power supply agrees with the specifications on the oven data plate, the wiring diagram on the oven and Electrical Data, page 5.

The ovens are commonly connected to separate power sources. When it's necessary to connect both ovens to a single power source, the VCE-STACKWIRES kit is used (00-961571-000G1). This is a free accessory. It can be ordered with the ovens or separately.

1. Carefully route these leads from the top oven through the bushing through the electrical access knockout holes common to both ovens.
2. Connect wires X, Y and Z from the upper oven to the lower oven per the wiring diagram. Attach the power supply conduit to the bottom of the lower oven. Connect the power supply leads to the line side of the terminal block on the bottom oven.
3. Finally, inspect and check all wiring and terminal connections for tightness or pinch points (cover on oven frame).
4. Refer to reference drawing 426986 supplied with the stacking kit for electrical connection instructions.
5. Refer to instructions supplied with the stacking kit for marking the combined electrical load information to the electrical data plate of the bottom oven.

# OPERATION

**⚠ WARNING** THE OVEN AND ITS PARTS ARE HOT. USE CARE WHEN OPERATING, CLEANING OR PERFORMING ANY MAINTENANCE.

## CONTROLS: WC4ED



- |                    |  |
|--------------------|--|
| MASTER SWITCH      | <ul style="list-style-type: none"><li>- ON - Turns oven control circuits on.</li><li>- OFF - Turns oven control circuits off.</li><li>- OVEN COOL - Allows the fan motor to run with the doors ajar to speed oven cooling.</li></ul>                                   |
| ON LIGHT (Amber)   | <ul style="list-style-type: none"><li>- Lit when MASTER SWITCH is turned to ON.</li></ul>  |
| HEAT LIGHT (White) | <ul style="list-style-type: none"><li>- Comes on and goes off when the heating elements cycle on and off.</li></ul>  |
| TEMPERATURE        | <ul style="list-style-type: none"><li>- Controls oven temperature.</li></ul>   |
| TIMER              | <ul style="list-style-type: none"><li>- Use to set the cooking time. Alarm sounds continuously when time has elapsed to 0. Turn the timer OFF to silence the alarm. The timer does not turn the oven off. Keep timer set to OFF when the oven is not in use.</li></ul> |
| FAN SPEED          | <ul style="list-style-type: none"><li>- Adjust air velocity in the oven cavity.</li><li>HI - Normal operating speed.</li><li>LOW - Use this setting when cooking a delicate product like meringue, which could blow around in the oven.</li></ul>                      |
| LIGHTS             | <ul style="list-style-type: none"><li>- ON - Turns the interior lights on.</li><li>- OFF - Turns the interior lights off.</li></ul>  |

## **BEFORE FIRST USE (All Models)**

Before using the oven for the first time, it must be burned off to release any odors that might result from heating the new surfaces in the chamber.

1. Using a clean damp cloth, wipe the inside of the oven, including the racks.
2. Close the oven doors, turn the MASTER SWITCH to ON, turn the Thermostat to 300°F (149°C) and allow the oven to cycle for 6 to 8 hours before turning the MASTER SWITCH to OFF.

## **USING ELECTRICAL MODELS**

### **Preheating**

1. Turn MASTER SWITCH to ON. Amber ON light will come on, indicating that power to oven is on.
2. Set Thermostat as desired. Refer to COOKING GUIDELINES for suggested temperatures and times for various products.
3. Prepare product and place in suitable pans. When white HEAT light goes off, oven has reached desired preheat temperature.

### **Cooking**

1. Open doors and load the product into the oven. Place pans in the center of the racks. Close doors.
2. Set the Timer. After the preset time lapses, turn Timer to OFF position to stop alarm.
3. When product is done, open doors and carefully remove cooked product from the oven. Care should be taken when wiping up any spills, as oven is still hot.

### **End of Day**

1. Turn Thermostat to lowest setting.
2. Turn MASTER SWITCH to OVEN COOL. Leave doors open while the fan is on to cool the oven.
3. When oven has cooled sufficiently, turn MASTER SWITCH to OFF and clean the oven.



## RECOMMENDED TEMPERATURES AND TIMES FOR ROASTING

Meat roasting is most satisfactory at temperatures of 225 to 325°F (107 to 163°C) for beef, lamb, poultry and ham; 325°F (163°C) for fresh pork as recommended by USDA and American Meat Institute.

A pan, approximately 12 x 20 x 1" (305 x 508 x 25 mm) full of water, may be placed in the oven bottom. This water supplies humidity to reduce shrinkage. Water should be added if necessary during roasting.

Roasting pans should be no deeper than necessary to hold drippings (usually 2 to 2½" (51 to 64 mm)).

Cooking time and shrinkage may vary with roasting temperature, cut, grade of meat and degree of doneness. Smaller cuts will generally show greater time savings than larger cuts at a given temperature.

### ROASTING TEMPERATURE CHART

PRODUCT	TEMP		APPROXIMATE TIMES
	°F	(°C)	
<b>Standing Rib Roast</b> " Oven Ready	250	(121)	3 to 4 Hrs. " Rare 4 to 4½ Hrs. — Med.
<b>Rolled Rib Roasts</b> " 20 to 22 lb (9.1 to 10 kg)	275	(135)	4 Hrs. " Med.
<b>Veal Roast</b> " 15 lb (6.8 kg)	300	(149)	3 Hrs. " Med. Well
<b>Turkeys</b> " 15 to 20 lb (6.8 to 9.1 kg)	300	(149)	3 Hrs.
<b>Meat Loaf</b> " 8 to 10 lb (3.6 to 4.5 kg)	350	(177)	45 to 60 Minutes

## COOKING HINTS

Forced air convection cooking is faster than conventional oven cooking, and therefore overcooking is more common. Do not cook products faster than is practical for the best results. Since forced air convection supplies heat to the surface of the product, the thicker or more massive a product is for its type, the longer it will take to absorb enough heat to cook.

The oven will cook or bake full or partial loads at standard recipe temperatures. As with any oven, you may wish to use a temperature of up to 25 F° (-4 C°) higher or lower than the recipe for the particular product result that you prefer.

When established, convection oven times and control settings should be noted on your recipe.

## SUGGESTED COOKING GUIDELINES

Recommended temperatures, times and number of racks are intended as a guide only. Adjustments must be made to compensate for variations in recipes, ingredients, preparation and personal preference in product appearance.

The oven does not require special recipes. Excellent results can be obtained from any good commercial recipe with reduced cooking times.

## COOKING GUIDELINES

The information in the Cooking Guidelines chart is suggested only. Cooking times for various products may be different depending on the brand, consistency and the chef's preferences for taste and presentation. The times below may require adjustments. Note the times and temperatures of your preferred results for future use. The preheating time for all of the following is 15 minutes.

### COOKING GUIDELINES (HOLDING FEATURE)

Product	Amount lbs. (kg)	Cooking Temp. °F (°C)	Cooking Time Hours	Min. Hold Time Hours	Max. Internal Cook Temp. °F (°C)	Internal Hold Temp. °F (°C)
Prime Rib	20 (9.06)	225 (107)	5	4	140 (60)	
Rib Eye Boneless	12 (5.43)	225 (107)	3	4	140 (60)	
Top Round	20 (9.06)	225 (107)	5	4	140 (60)	
Steamship Round	20 (9.06)	225 (107)	7	2	140 (60)	
Bottom Round	20 (9.06)	225 (107)	5	8	140 (60)	
Boneless Strip Loin	12 (5.43)	225 (107)	3	4	140 (60)	
Whole Tenderloin	6 (2.71)	225 (107)	2	2	140 (60)	
Top Sirloin Butt	14 (6.34)	225 (107)	3	4	140 (60)	
Beef Short Ribs	10 (4.53)	225 (107)	4	4	165 (74)	
Cube Steaks	10 (5.43)	225 (107)	3	3	180 (82)	
Beef Back Ribs	30 (13.6)	225 (107)	5	4	175 (79)	
Beef Stew	10 (5.43)	225 (107)	4	6	175 (79)	150 (66)
Corned Beef	12 (5.43)	250 (121)	4	4	165 (74)	150 (66)
Fresh Ham	12 (5.43)	250 (121)	6	4	165 (74)	
Cooked Cured Ham	12 (5.43)	250 (121)	4	4	135 (57)	
Pork Back Ribs	10 (4.53)	250 (121)	5	3	175 (79)	150 (66)
Pork Spare Ribs	30 (13.6)	250 (121)	5	4	175 (79)	150 (66)
Fresh Sausages	10 (4.53)	225 (107)	2	5 (Max)	175 (79)	
Pre-Cooked Sausage	10 (4.53)	250 (121)	1 <sup>3</sup> / <sub>4</sub>	5 <sup>1</sup> / <sub>2</sub> (Max)	160 (71)	
Roast Suckling Pig	30 (13.6)	250 (121)	6	3	170 (77)	155 (68)
Bacon		350 (177)	40 min.		N/A	
Roasted Chicken	10 (4.56)	350 (177)	45 min.	N/A	165 (74)	
Chicken Pieces (per tray)	10 (4.56)	250 (121)	2 <sup>1</sup> / <sub>2</sub>	<sup>1</sup> / <sub>2</sub> (Max)	170 (77)	150 (66)
Whole Chickens (per chicken)	3.25 (1.47)	250 (121)	2 <sup>1</sup> / <sub>2</sub>	4 <sup>1</sup> / <sub>2</sub> (Max)	170 (77)	140 (60)
Whole Turkeys	20 (9.06)	230 (110)	6 <sup>1</sup> / <sub>2</sub>	12 (Max)	170 (77)	160 (71)
Bone In Turkey Breast	10 (4.53)	250 (121)	5	1	160 (71)	150 (66)
Roast Duckling (per duck)	4 (1.81)	350 (177)	1 <sup>1</sup> / <sub>2</sub>	3 (Max)	170 (77)	150 (66)
Rack of Lamb per tray	15 racks	250 (121)	3 <sup>1</sup> / <sub>2</sub>	2 <sup>1</sup> / <sub>2</sub>	160 (71)	
Lamb Shanks, Braised		250 (121)	4	4	180 (82)	150 (66)
Fish Filets	4-6 oz. (23g)	225 (107)	40 min.	4	160 (71)	
Clear Soups Steam Pan	1/1 Gastronome or 12x20x4"	225 (107)	3	Overnight	175 (79)	150 (66)
Frozen Pizza	(2) 18" Pies	350 (177)	15 min.	2	175 (79)	160 (71)
Rice	1 Qt. dry	250 (121)	2	18	160 (171)	N/A
Baked Potatoes	90 CT.	350 (177)	1	1 <sup>1</sup> / <sub>2</sub>	200 (93)	170 (77)

## STANDARD COOKING TIME CHART

Product	Amount	Temp.	Time
Frozen Croissant Dough	1.75 oz.	350°F (177°C)	25 Min
Cinnamon Croissant	1.75 oz.	350°F (177°C)	35 Min.
Small Bread Loaves	1 Tray	350°F (177°C)	30 Min.
Large Bread Loaves	1.5 lbs.	350°F (177°C)	60 Min.
Sheet Cake	(1) 18x26" Tray	300°F (149°C)	25 Min.
Scone Mix	1 Tray	350°F (177°C)	30 Min.
Muffin Mix	1 Tray	350°F (177°C)	30 Min.
Kaiser Rolls	1 Tray	350°F (177°C)	16 Min.
Italian Bread	1 Tray	350°F (177°C)	40 Min.
Danish Rounds*	1 Tray	350°F (177°C)	30 Min.
Cream Cake*	1 Tray	350°F (177°C)	60 Min.
Cookies	1 Tray	325°F (163°C)	16 Min.

\*The maximum internal cooking temperature should be 190°F (88°C).

## POWER OUTAGE

In case of a power outage, the oven will automatically shut down. When power is restored to the lines, the oven will resume its normal operation. However, if the oven is to be left unattended during a power outage, push the MASTER SWITCH to the OFF position. When power is restored to the lines, push MASTER SWITCH to the ON position, wait for the oven to preheat, then resume normal cooking operations.

## CLEANING

**WARNING:** DISCONNECT ELECTRICAL SUPPLY AND PLACE A TAG AT THE DISCONNECT SWITCH TO INDICATING THAT YOU ARE WORKING ON THE OVEN BEFORE CLEANING.

- Clean outside of the oven daily by wiping with a clean, damp cloth.
- Clean porcelain oven interior daily with soap or detergent and water. Rinse thoroughly and wipe dry with a soft, clean cloth.

### Optional Stainless Steel Oven Interior

Soap or detergent and water usually handle routine cleaning. Rinse thoroughly and dry with a soft, clean cloth.

For burned-on foods and grease which resist simple soap and water cleaning, an abrasive cleanser (scouring powder) mixed into a paste may be used. Apply with stainless steel wool or sponge, always rubbing with the grain.

This treatment is equally effective for "heat tint" (slightly darkened areas caused by oxidation). Again, remember to rub in the direction of the polish lines. Rinse with clear water and dry with a soft cloth.

**⚠ WARNING** Wait for oven doors to cool before washing. Splashing hot doors with water may cause the glass to shatter.

# MAINTENANCE

**⚠ WARNING** The oven and its parts are hot. Use care when operating, cleaning or servicing the oven.

**⚠ WARNING** Disconnect the electrical power to the machine and follow lockout / tagout procedures.

## LUBRICATION

The fan motor comes with sealed bearings and requires no lubrication.

## VENT

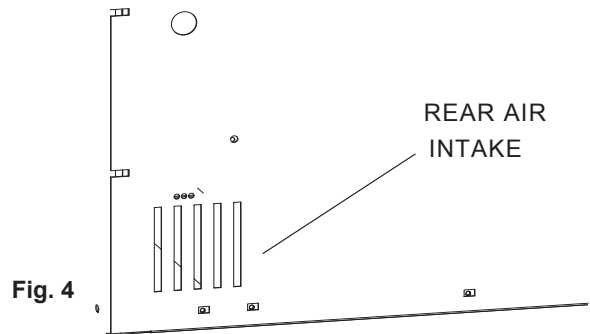
Periodically check the flue, when the oven is cool, to be sure it is free of obstructions.

## AIR INTAKE

Rear air intake slots and holes should be cleaned with a damp cloth regularly. FIG 4.

**⚠ WARNING**

**The rear air intakes must be kept clear.  
Noncompliance may lead to component failure.**



## REPLACING SIDE MOUNTED LAMPS

1. Allow oven to cool.
2. Remove all racks by pulling forward, lifting up and out.
3. Remove the right rack guide by lifting up and pulling out.
4. Pry glass cover off by sliding a flat tool under the bottom lip of the cover.
5. Replace the bulb. Gloves should be worn while handling bulbs.
6. Reassemble glass cover and racks by reversing the disassembly procedure.

## SERVICE AND PARTS INFORMATION

To obtain service and parts information concerning your Oven, contact the Wolf Service Depot in your area (refer to listing supplied with this oven) or Wolf Company Service Department at the address or phone number shown on the front cover of this manual.

# TROUBLESHOOTING

Problem	Possible Cause	Suggested Corrective Action
Uneven browning or overcooked edges.	<ol style="list-style-type: none"> <li>1. Oven is too hot.</li> <li>2. Too many racks used.</li> </ol>	<ol style="list-style-type: none"> <li>1. Reduce temperature setting (refer to Cooking Guidelines).</li> <li>2. Use fewer racks to allow for better circulation.</li> </ol>
Product pulling to edge of pan or spilling	<ol style="list-style-type: none"> <li>1. Oven is not level.</li> <li>2. Sheet pans are warped.</li> </ol>	<ol style="list-style-type: none"> <li>1. Level oven racks- side to side and front to back. The rack should be level side to side and level to 1/8"(3mm) low at the front from front to back.</li> <li>2. Keep pans used for baking batter separate from general purpose pans. If any pan shows a tendency to warp, remove it from the baking group.</li> </ol>
Excessive shrinkage.	<ol style="list-style-type: none"> <li>1. Failure to maintain water in oven.</li> <li>2. Roasting temperature too high.</li> </ol>	<ol style="list-style-type: none"> <li>1. Place pan of water in bottom of oven measuring 12x20x1" (305x508x25mm).</li> <li>2. Reduce temperature.</li> </ol>

## SERVICE AND PARTS INFORMATION

To obtain service and parts information concerning this model, contact the Wolf Service Agency in your area (refer to our website, [www.wolfequipment.com](http://www.wolfequipment.com) for a complete listing of Authorized Service and Parts depots).



# MANUEL D'INSTALLATION ET D'UTILISATION

---

## FOURS À CONVECTION ÉLECTRIQUES

MODÈLES:

WC4E



SERVICE ECHNIQUE ET ASSISTANCE PIÈCES - US: 1-800-814-2028 | CANADA: 1-800-444-4764

Pour plus d'informations ou pour localiser un fournisseur de pièces et de services agréé dans votre région, visitez [wolfequipment.com](http://wolfequipment.com)

*Wolf est une division du groupe iTW ÉQUIPEMENT ALIMENTAIRE | 3600 North Point Blvd., Baltimore, MD 21222*

F51058 Rév. B (01/09/2023)

# INSTALLATION, UTILISATION ET ENTRETIEN DES FOURS À CONVECTION ÉLECTRIQUES

## CONSERVEZ CES INSTRUCTIONS POUR USAGE FUTUR

Votre four à convection électrique est fabriqué avec des matériaux et une main d'œuvre de qualité . Votre four vous procurera plusieurs années d'utilisation performante dans la mesure où il est installé, utilisé et entretenu correctement .

Le manufacturier suggère de lire attentivement ce manuel en entier, et de suivre rigoureusement toutes les directives fournies .

## RENSEIGNEMENTS GÉNÉRAUX

La gamme de fours à convection électriques offre un thermostat de 500°F (260°C), une minuterie, un intérieur en porcelaine et un moteur de circulation d'air à deux vitesses de 1/2 CV (375 W) . Les fours prévus pour des tensions standards fonctionnent à 208 ou 240 V, 60 Hz avec courant monophasé ou triphasé .

Les fours sont équipés d'une seule chambre de cuisson munie de cinq grilles .Des portes s'ouvrant de façon indépendante l'une de l'autre sont de série ; un dispositif d'entraînement à chaînes est offert en option permettant l'ouverture des portes simultanément .Les lampes de four munies d'un commutateur arrêt-marche sont offertes de série sur tous les modèles .

Un support ouvert avec un poste de storage est offert en option .

Les fours doubles sont fournis avec soit la trousse de superposition 426983G1 (PATTES DE 8 PO), soit la trousse de superposition 426984G1 (ROULETTES), ce qui permet de superposer deux fours l'un par dessus l'autre .

Des grilles supplémentaires sont également disponibles à titre d'accessoires .

Le tableau ici-bas présente les caractéristiques de chaque modèle :

### CARACTÉRISTIQUES DE SÉRIE ET OPTIONS

Modèle	Profondeur intérieure du four	Profondeur extérieure du four	Thermostat	Minuteur	Pattes avec pieds	Pattes avec roulettes	Support avec storage et pieds	Support avec storage et roulettes	Trousse de superposition avec pattes	Trousse de superposition avec roulettes
Électrique Standard	26 1/2" (67.3cm)	41 1/2" (105.4cm)	À semi-conducteur	1 hre, à cadran	Std.	Opt.	Opt.	Opt.	Opt.	Opt.

# INSTALLATION

## DÉBALLAGE

Aussitôt le four retiré de son emballage, inspectez-le afin de repérer tout dommage possiblement subi lors de l'expédition .Si le four est endommagé, conservez les matériaux d'emballage et contactez le transporteur dans les 15 jours suivant la livraison .

Avant l'installation, assurez-vous que votre alimentation électrique respecte les spécifications indiquées sur la plaque signalétique du four, située à l'intérieur du haut du panneau avant .

N'utilisez pas les portes ou les poignées de porte pour soulever le four .

## EMPLACEMENT

L'emplacement choisi pour l'installation doit permettre des dégagements suffisants pour l'entretien et pour une utilisation correcte .Pour les modèles à semi-conducteurs et les modèles à contrôles numériques, il doit y avoir un dégagement minimal de 18 po (45 cm) du côté droit du four, afin de l'isoler de toute flamme nue.

## RÈGLEMENTATION ET CRITÈRES D'INSTALLATION

Aux États-Unis, vous devez installer le four en respectant : 1) les réglementations de l'état et de la municipalité ; 2) le National Electrical Code, NFPA-70 (édition la plus récente) ainsi que le standard NFPA #96, Vapor Removal from Cooking Equipment (édition la plus récente), qui sont disponibles auprès de la National Fire Protection Association, Batterymarch Park, Quincy, MA 02269 .

Au Canada, vous devez installer le four en respectant : 1) les ordonnances locales ; 2) le Code Canadien de l'Électricité, standard ACNOR C22 2, no 1 (édition la plus récente), ainsi que 3) le Standard Canadien pour les appareils de cuisson commerciale, standard ACNOR C22 2 no .109 (édition la plus récente) .

## INSTALLATION DE BASE DU FOUR

Le four de base doit être installé sur des pattes, ou monté sur un support modulaire. Il n'est pas recommandé d'installer le four sur une base de béton ou tout autre type de support qui limite la circulation d'air sous le four ; ce type d'installation peut même invalider votre garantie. Si vous utilisez le support modulaire, déposez-y le four une fois celui-ci sorti de son emballage .

## FIXATION DES PATTES DU FOUR SIMPLE

Les pattes doivent être installées sous le four .Faites basculer doucement le four sur son côté gauche, en faisant attention de ne pas l'égratigner ou l'endommager .

Fixez chacune des quatre pattes à la partie inférieure du four à l'aide des 24 boulons et rondelles frein (six boulons et six rondelles frein par patte) .Soulevez le four avec précaution pour le remettre en position normale .

## MISE À NIVEAU

Ajustez les pattes pour vous assurer que les grilles du four sont à niveau dans sa position finale d'installation .

## ROULETTES

Si le four doit être installé sur des roulettes, fixez d'abord les roulettes sur les pattes fournies. Ensuite, fixez les blocs pattes-roulettes sous le four à chacun des coins, à l'aide des 24 boulons et rondelles frein (six boulons et six rondelles frein par patte) .Fixez les roulettes avec verrou sur les pattes avant, et les roulettes sans verrou sur les pattes arrière .

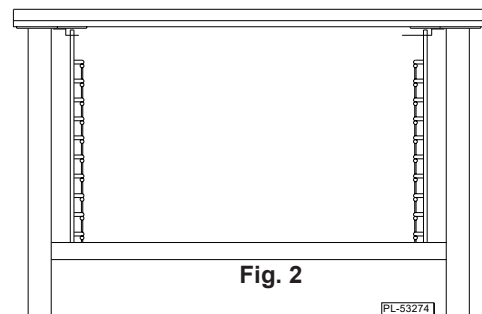
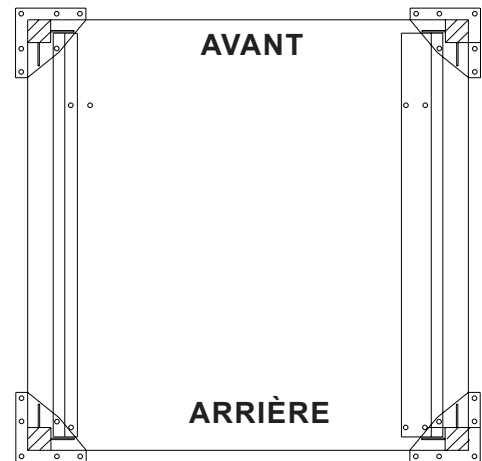


## ASSEMBLAGE DU SUPPORT DU FOUR SIMPLE

Fixez chacun des quatre blocs pattes à la partie inférieure du four à l'aide des 24 boulons et rondelles frein (six par patte). Replacez avec précaution le four en position normale .

Fixez la tablette du bas aux pattes à l'aide des huit boulons et rondelles frein (deux par patte) .

Installez les guides de storage à la hauteur de tablette désirée (pour les bacs ou les plaques de cuisson), pour ensuite attacher les supports à l'extrémité supérieure des guides de storage. Pour ce faire, fixez les supports au bloc pattes en retirant un boulon du milieu et en le remettant en place en le passant dans les trous du support de storage (Fig .2) .



## CONNEXIONS ÉLECTRIQUES

**AVERTISSEMENT** : LES CONNEXIONS ÉLECTRIQUES ET LES MISES À LA TERRE DOIVENT RESPECTER LES CHAPITRES APPLICABLES DU CODE ÉLECTRIQUE NATIONAL ANSI, LE NFPA70 (ÉDITION LA PLUS RÉCENTE), AINSI QUE TOUTE AUTRE ORDONNANCE ÉLECTRIQUE LOCALE .

**AVERTISSEMENT** : DÉCONNECTEZ LE BLOC D'ALIMENTATION ÉLECTRIQUE ET PLACEZ UNE ÉTIQUETTE DE SÉCURITÉ SUR LE SECTIONNEUR INDIQUANT QUE VOUS ÊTES EN TRAIN DE TRAVAILLER SUR LE CIRCUIT .

Retirez le couvercle du compartiment de câblage se trouvant à l'avant du four. Faites sauter la débouchure appropriée sous le four, et fixez le conduit du bloc d'alimentation au dessous du four.

Suivez le schéma d'interconnexion (situé à l'intérieur du panneau du côté droit) lorsque vous effectuez les connexions aux lignes d'alimentation électrique.

Remettez le couvercle du compartiment de câblage en place, ainsi que le panneau du côté droit . Mettez le sectionneur en marche .

## SPÉCIFICATIONS ÉLECTRIQUES

	KW TOTAUX	208-240V CHARGE TRPHASÉE			INTENSITÉ NOMINALE PAR FIL D'ALIMENTATION							
		KW PER PHASE			3-PHASE						1-PHASE	
		L1-L2	L2-L3	L1-L3	208 V			240 V			208 V	240 V
					L1	L2	L3	L1	L2	L3		
FOUR SIMPLE	12.5	4	4	4.5	35	33	35	33	29	33	60	52
FOUR DOUBLE	25	8	8	9	70	66	70	66	58	66	120	104

## ASSEMBLAGE DES FOURS DOUBLES

Déballer les fours et les kits de superposition. Faites basculer le four destiné à être celui du bas sur son côté gauche, afin d'exposer le dessous du four, tout en prenant soin de ne pas l'égratigner ou l'endommager.

Fixez les quatre pieds ou le jeu de roues avec les 24 boulons et rondelles frein (six par roue) .

Remplacez le four du bas (sur pieds ou sur roues) sur le plancher et faites sauter les deux débouchures de 7/16 po (11 mm) de chaque côté extérieur du panneau de dessus. Retirez les entrées défonçables de la base du four supérieur .

Fixez les deux tiges de localisation sous le four du haut, selon les instructions de la trousse de superposition .

Placez le four sur pieds ou sur roues à sa position d'installation. Soulevez le four du haut et installez-le sur le dessus du four du bas en vous servant des tiges de localisation .

Enlevez le panneau arrière optionnel, s'il est fourni, du four du HAUT. Retirez le garde de l'évent du four supérieur. Installez la cheminée de superposition (Fig .3) avec les quatre vis fournies. Remettez le panneau arrière en place, s'il est fourni .

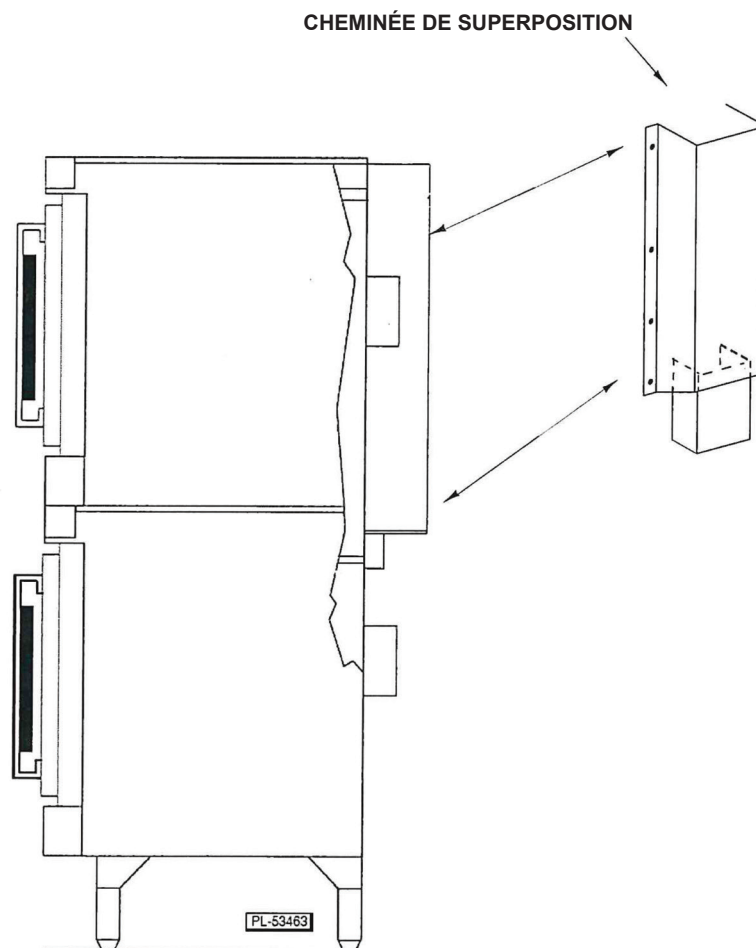


Fig. 3

## **CONNEXIONS ÉLECTRIQUES (fours doubles)**

**AVERTISSEMENT** : LES CONNEXIONS ÉLECTRIQUES ET LES MISES À LA TERRE DOIVENT RESPECTER LES CHAPITRES APPLICABLES DU CODE ÉLECTRIQUE NATIONAL ET/OU LES ORDONNANCES ÉLECTRIQUES LOCALES.

**AVERTISSEMENT** : DÉCONNECTEZ LE BLOC D'ALIMENTATION ÉLECTRIQUE ET PLACEZ UNE ÉTIQUETTE DE SÉCURITÉ SUR LE SECTIONNEUR INDIQUANT QUE VOUS ÊTES EN TRAIN DE TRAVAILLER SUR LE CIRCUIT.

Assurez-vous que l'alimentation électrique soit conforme aux spécifications indiquées sur la plaque signalétique, au schéma électrique du four et aux données électriques de la page 5.

Les fours sont généralement branchés à des circuits électriques séparés. S'il est nécessaire de brancher les deux fours à une seule source de courant, la trousse VCE-STACKWIRES est utilisée (00-961571-000g1). Cet accessoire est gratuit. Il peut être commandé en même temps que les fours ou séparément.

1. Passez ces fils soigneusement depuis le four supérieur à travers la douille et dans les trous de débouchure communs aux deux fours.
2. Raccordez les fils X, Y et Z depuis le four supérieur au four inférieur selon le schéma électrique. Fixez le conduit électrique à la base du four du bas. Branchez les fils d'alimentation au côté secteur du bornier de connexion sur le four inférieur.
3. Finalement, inspectez et vérifiez tout le câblage et les raccordements aux bornes pour voir s'ils sont bien fixés et sans points de pincement (couvrir sur le bâti du four).
4. Reportez-vous au schéma 426986 livré avec la trousse de superposition pour les instructions de connexions.
5. Reportez-vous aussi aux instructions de la trousse de superposition pour inscrire les nouvelles charges électriques combinées sur la plaque signalétique du four inférieur.

# FUNCTIONNEMENT

**AVERTISSEMENT : LE FOUR ET SES COMPOSANTES SONT CHAUDS .SOYEZ PRUDENTS LORS DE L'UTILISATION ET DU NETTOYAGE, OU DURANT LES ACTIVITÉS D'ENTRETIEN.**

## CONTRÔLES WCED



- REGISTRE D'ÉVACUATION D'HUMIDITÉ** – Ouvrez le registre à la position « ON » pour évacuer tout excès d'humidité. Fermez-le en position « CLOSED » lors de la cuisson de produits secs .Obtenez le réglage optimal en déplaçant le registre entre les positions « OPEN » et « CLOSED » .
- INTERRUPTEUR PRINCIPAL** – « ON » – Allume les circuits de contrôle du four .  
– « OFF » – Éteint les circuits de contrôle du four .  
– « OVEN COOL » – permet au moteur du ventilateur de fonctionner avec les portes entrouvertes afin d'accélérer le refroidissement du four.
- TÉMOIN LUMINEUX « ON »** (couleur ambrée) – S'allume lorsque l'interrupteur principal est en position « ON » .
- TÉMOIN LUMINEUX « HEAT »** (couleur blanche) – S'allume et s'éteint en fonction de l'activité des éléments de chauffage.
- CADRAN « TEMPERATURE »** (thermostat, réglage de la température) – Contrôle la température du four .
- CADRAN « TIMER »** (réglage de la minuterie) – Utilisez-le pour fixer la durée de cuisson. Une alarme sonore retentit sans arrêt lorsque le temps est écoulé. Placez le cadran à la position « OFF » pour interrompre l'alarme sonore. L'arrêt de la minuterie n'éteint pas le four. Laissez également le cadran en position « OFF » lorsque le four n'est pas utilisé.
- COMMUTATEUR « FAN SPEED »** (vitesse du ventilateur) – Ajuste la vitesse de l'air dans la chambre interne du four.  
– « HI » – vitesse normale d'utilisation.  
– « LO » – utilisez cette vitesse lors de la cuisson d'un produit délicat, tel qu'une meringue, qui pourrait être projeté partout dans la chambre du four .
- COMMUTATEUR « LIGHTS »** (lampes interieures) – « ON » – allume les lampes internes .  
– « OFF » – éteint les lampes internes .

## **AVANT LA PREMIÈRE UTILISATION (TOUS LES MODÈLES)**

Le four doit subir une chauffe de rodage avant sa première utilisation, afin d'éliminer les odeurs qui peuvent résulter de la chauffe des surfaces neuves de la chambre interne .

1. À l'aide d'un chiffon humide propre, essuyez les parois de la chambre interne du four ainsi que les grilles .
2. Refermez les portes du four, mettez l'interrupteur principal en position « ON », puis réglez le cadran du thermostat à 300°F (150°C) et laissez le four fonctionner de 6 à 8 heures avant de remettre l'interrupteur principal à « OFF ».

## **UTILISATION DES MODÈLES ÉLECTRIQUES**

### **Préchauffage**

1. Mettez l'interrupteur principal à « ON ». Le témoin lumineux ambré s'allume, ce qui indique que l'alimentation électrique du four est en marche.
2. Réglez le thermostat à la température désirée .Consultez les DIRECTIVES DE CUISSON pour connaître les températures et temps de cuisson suggérés pour divers produits.
3. Préparez les produits, et déposez-les dans des plateaux adéquats .Lorsque le four atteint la température désirée de préchauffage, le témoin lumineux blanc s'éteint.

### **Cuisson**

6. Ouvrez les portes et chargez le produit dans le four .Placez les plateaux au centre des grilles . Refermez les portes .
7. Réglez la minuterie. Une fois le temps fixé écoulé, mettez le cadran à « OFF » afin d'arrêter l'alarme sonore.
8. Lorsque le produit est cuit, ouvrez les portes et retirez-le du four avec précaution .Soyez prudent au moment de nettoyer des déversements, car le four est toujours chaud .

### **Fin de la journée**

1. Placez le cadran du thermostat à réglage le plus bas.
2. Mettez l'interrupteur principal en position « OVEN COOL ». Laissez les portes ouvertes pendant que le ventilateur continue de fonctionner pour refroidir le four .
3. Lorsque le four est suffisamment refroidi, mettez l'interrupteur principal en position « OFF » et nettoyez le four .

## TEMPÉRATURES ET TEMPS DE CUISSON RECOMMANDÉS POUR LE RÔTISSAGE

Selon le ministère de l'Agriculture des États-Unis et l'American Meat Institute, les températures de rôtissage doivent varier idéalement entre 107 et 163 °C (225 et 325 °F) pour le bœuf, l'agneau, la volaille et le jambon et à 163 °C (325 °F) pour le porc.

Placer un plat rempli d'eau (environ 305 x 508 x 25 mm [12 x 20 x 1 po]) dans le four. L'eau dégage de l'humidité et réduit le flétrissement. En ajouter pendant le rôtissage, au besoin.

Les plats à rôtir ne doivent pas excéder la profondeur requise pour contenir la graisse, soit de 51 à 64 mm (2 à 2 1/2 po) en général.

Le temps de cuisson et la perte de poids varient selon la température de rôtissage, la coupe et la catégorie de viande ainsi que le degré de cuisson. À une même température, les petits morceaux de viande cuisent en général plus rapidement que les gros morceaux.

### TEMPÉRATURE DE RÔTISSAGE

PRODUIT	TEMPERATURE °C (°F)	TEMPS DE CUISSON APPROXIMATIF
<b>Côtes de bœuf</b> – Prêtes pour la cuisson	121 (250)	3 à 4 h (saignant) 4 à 4 h 30 (à point)
<b>Côtes de bœuf désossées</b> – 9,1 À 10 kg (20 à 22 lb)	135 (275)	4 h (à point)
<b>Rôti de veau</b> – 6,8 kg (15 lb)	149 (300)	3 h (à point à bien cuit)
<b>Dindes</b> – 6,8 à 9,1 kg (15 à 20 lb)	149 (300)	3 h
<b>Pain de viande</b> – 3,6 à 4,5 kg (8 à 10 lb)	177 (350)	45 à 60 min

### CONSEILS D'UTILISATION

La cuisson à circulation d'air forcé est plus rapide que la cuisson dans un four traditionnel, par conséquent, la surcuisson est plus commune. Pour obtenir de bons résultats, ne pas cuire les produits plus rapidement qu'il ne le faut. Comme la circulation d'air forcé fournit de la chaleur à la surface du produit, si le produit est plus épais ou plus massif, il prendra plus de temps pour absorber assez de chaleur pour la cuisson.

Le four cuira des charges entières ou partielles aux températures standards des recettes. Comme tout autre four, vous voudrez peut-être utiliser une température de cuisson variant de -4 °C (25 °F) au-dessus ou en bas de la recette pour obtenir les résultats d'un produit que vous préférez.

Lorsque ceci sera établi, les temps de cuisson du four à convection et les réglages des commandes devraient être notés sur votre recette.

### GUIDE DE CUISSON SUGGÉRÉ

Les températures, les temps de cuisson, le nombre de grilles sont suggérés à titre d'exemple seulement. Ils devront être adaptés aux recettes, aux ingrédients, à l'installation et aux goûts personnels.

Le four ne requiert pas de recettes spéciales. Vous pouvez obtenir d'excellents résultats pour toute bonne recette commerciale avec des temps de cuisson réduits.

## DIRECTIVES DE CUISSON

Les renseignements de ce tableau de directives de cuisson sont fournis à titre indicatif seulement .Les temps de cuisson peuvent être différents pour divers produits, selon la marque, la consistance et la préférence du chef quant au goût et à la présentation .Les durées ici-bas sont sujettes à des ajustements .Prenez en note les durées et les températures de cuisson de vos résultats les plus probants pour usage futur .Le temps de préchauffage pour tous les aliments ci-dessous est de 15 minutes .La température de maintien de l'ordinateur de contrôle est fixée à 150°F (66°C), et ne peut être changée .

### DIRECTIVES DE CUISSON (MODE CUISSON ET MAINTIEN)

Produit	Quantité lbs (kg)	Température de cuisson °F (°C)	Durée de cuisson Heures	Temps de maintien Heures	Température interne maximale °F (°C)	Température interne de maintien °F (°C)
Roti de côte	20 (9,06)	225 (107)	5	4	140 (60)	
Faux-filet, désossé	12 (5,43)	225 (107)	3	4	140 (60)	
Intérieur de ronde	20 (9,06)	225 (107)	5	4	140 (60)	
Ronde « steamship »	20 (9,06)	225 (107)	7	2	140 (60)	
Extérieur de ronde	20 (9,06)	225 (107)	5	8	140 (60)	
Contre-filet, désossé	12 (5,43)	225 (107)	3	4	140 (60)	
Filet entier	6 (2,71)	225 (107)	2	2	140 (60)	
Haut de surlonge	14 (6,34)	225 (107)	3	4	140 (60)	
Bouts de côtes, boeuf	10 (4,53)	225 (107)	4	4	165 (74)	
Bifteck attendri	10 (5,43)	225 (107)	3	3	180 (82)	
Côtes levées de dos, boeuf	30 (13,6)	225 (107)	5	4	175 (79)	
Ragoût, boeuf	10 (5,43)	225 (107)	4	6	175 (79)	150 (66)
Boeuf salé	12 (5,43)	250 (121)	4	4	165 (74)	150 (66)
Jambon frais	12 (5,43)	250 (121)	6	4	165 (74)	
Jambon salé, cuit	12 (5,43)	250 (121)	4	4	135 (57)	
Côtes levées de dos, porc	10 (4,53)	250 (121)	5	3	175 (79)	150 (66)
Côtes levées, porc	30 (13,6)	250 (121)	5	4	175 (79)	150 (66)
Saucisses fraîches	10 (4,53)	225 (107)	2	5 (max)	175 (79)	
Saucisses pré-cuites	10 (4,53)	250 (121)	1 3/4	5 1/2 (max)	160 (71)	
Cochon de lait rôti	30 (13,6)	250 (121)	6	3	170 (77)	155 (68)
Bacon		350 (177)	40 min .		N/D	
Poulet rôti	10 (4,56)	350 (177)	45 min .	N/D	165 (74)	
Morceaux de poulet (par plateau)	10 (4,56)	250 (121)	2 1/2	1/2 (max)	170 (77)	150 (66)
Poulets entiers (par poulet)	3,25 (1,47)	250 (121)	2 1/2	4 1/2 (max)	170 (77)	140 (60)
Dindes entières	20 (9,06)	230 (110)	6 1/2	12 (max)	170 (77)	160 (71)
Poitrine de dinde, avec os	10 (4,53)	250 (121)	5	1	160 (71)	150 (66)
Canardeau rôti (par canard)	4 (1,81)	350 (177)	1 1/2	3 (max)	170 (77)	150 (66)
Carré d'agneau	Carré de 15 par plateau	250 (121)	3 1/2	2 1/2	160 (71)	
Jarrets d'agneau, braisés		250 (121)	4	4	180 (82)	150 (66)
Filets de poisson	4-6 oz (23 g)	225 (107)	40 min .	4	160 (71)	
Soupes claires	Gastronome 1/1 ou plat à pocher de 12x20x4 po	225 (107)	3	toute la nuit	175 (79)	150 (66)
Pizza congelée	(2) pizzas de 18 po	350 (177)	15 min .	2	175 (79)	160 (71)
Riz	1 pinte à sec	250 (121)	2	18	160 (171)	N/D
Pommes de terre au four	90 CT .	350 (177)	1	1 1/2	200 (93)	170 (77)

## TABLEAU DES TEMPS DE CUISSON STANDARD

Produit	Qté	Temp.	Durée
Pâte à croissant congelée	1,75 oz	350°F (177°C)	25 min.
Croissant à la cannelle	1,75 oz	350°F (177°C)	35 min.
Pain, petit	1 plateau	350°F (177°C)	30 min.
Pain, grand	1,5 lb	350°F (177°C)	60 min.
Gâteau rectangulaire	(1) plateau de 18x26 po	300°F (177°C)	25 min.
Mélange à scone	1 plateau	350°F (177°C)	30 min.
Mélange à muffin	1 plateau	350°F (177°C)	30 min.
Pain mollet Kaiser	1 plateau	350°F (177°C)	16 min.
Pain italien	1 plateau	350°F (177°C)	40 min.
Danoises*	1 plateau	350°F (177°C)	30 min.
Gâteau à la crème*	1 plateau	350°F (177°C)	60 min.
Biscuits	1 plateau	325°F (177°C)	16 min.

\* La température interne maximale de cuisson doit être de 190°F (88°C).

### REMPACEMENT DES LAMPES

Le four s'éteint automatiquement lorsque survient une interruption de courant. Lorsque l'alimentation électrique reprend, le four se remettra en marche normalement. Toutefois, si le four doit être laissé sans surveillance durant une PANNE ÉLECTRIQUE, placez l'interrupteur principal à la position « OFF ». Lorsque l'alimentation électrique est rétablie, remettez l'interrupteur principal en position « ON », attendez le préchauffage, puis continuez les opérations de cuisson de façon normale.

### NETTOYAGE

**AVERTISSEMENT** : COUPEZ L'ALIMENTATION ÉLECTRIQUE ET PLACEZ UNE ÉTIQUETTE DE SÉCURITÉ SUR L'INTERRUPTEUR INDIQUANT QUE VOUS TRAVAILLEZ SUR LE FOUR AVANT D'ENTREPRENDRE LE NETTOYAGE.

- Nettoyez quotidiennement l'extérieur du four à l'aide d'un chiffon humide propre.
- Nettoyez quotidiennement la chambre intérieure du four en porcelaine avec de l'eau et du savon ou du détergent. Rincez soigneusement, puis séchez avec un linge doux et propre.

### Intérieur optionnel en acier inox

De l'eau et du savon ou du détergent sont suffisants pour les nettoyages de routine. Rincez soigneusement, puis séchez avec un linge doux et propre.

Pour les aliments collés par la chaleur et la graisse, qui résistent aux nettoyages simples à l'eau et au savon, un nettoyant abrasif (comme la poudre à récurer) mélangé à de l'eau pour former une pâte peut être utilisé. Appliquez à l'aide d'une laine d'acier ou d'une éponge, et frottez toujours dans le sens du grain.

Ce traitement est également efficace pour les « décolorations » dues à la chaleur (les endroits légèrement noircis par l'oxydation). Souvenez-vous ici encore de frotter dans le sens du poli. Rincez à l'eau claire, et essuyez avec un chiffon doux.



# ENTRETIEN

**▲ AVERTISSEMENT :** Le four et ses composants sont chauds. Exercer une extrême prudence lors de l'exploitation, du nettoyage et de l'entretien de cet appareil.

**▲ AVERTISSEMENT :** Couper l'alimentation électrique de l'appareil et suivre les procédures de verrouillage et d'étiquetage.

## LUBRIFICATION :

Le moteur du ventilateur est pourvu de roulements scellés ne nécessitant aucune lubrification.

## VENTILATION :

Une fois l'an, il faut vérifier le conduit d'évacuation lorsqu'il est froid pour s'assurer qu'il n'est pas obstrué.

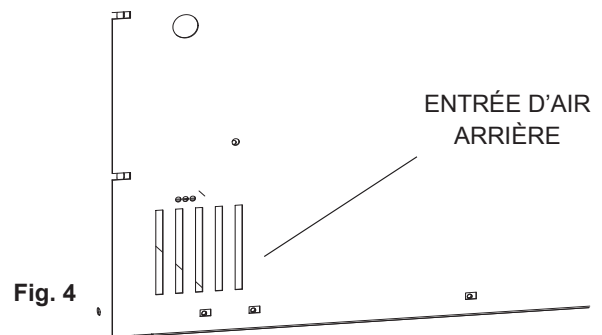
## ENTRÉE D'AIR

Les fentes et les trous de l'entrée d'air arrière devraient être nettoyés régulièrement avec un chiffon humide. FIG. 4.

### **▲ AVERTISSEMENT :**

**Les entrées d'air arrière doivent rester dégagées.**

**Le non-respect de cette procédure peut entraîner le non-fonctionnement du composant.**



## REPLACEMENT DES AMPOULES LATÉRALES :

1. Laissez refroidir le four.
2. Retirez toutes les grilles en les tirant vers l'avant et en les soulevant pour les sortir.
3. Retirez le guide de la grille de droite en le soulevant et en le tirant vers l'extérieur.
4. Soulevez le couvercle en verre en glissant un outil plat sous la lèvre inférieure du couvercle.
5. Remplacez l'ampoule. Vous devriez porter des gants quand vous travaillez sur des ampoules.
6. Remettez le couvercle de verre et les grilles en place en inversant la méthode de démontage.

## RENSEIGNEMENTS SUR LES PIÈCES ET L'ENTRETIEN

Pour obtenir plus de renseignements sur les pièces et l'entretien de votre four de la série WC, contactez le centre de service autorisé de Vulcan-Hart de votre région (consultez la liste fournie avec votre four), ou contactez directement le service de l'entretien de la compagnie WOLF, à l'adresse ou au numéro de téléphone indiqué sur la couverture de ce manuel .

# DÉPANNAGE

Problème	Cause possible	Correction suggérée
Brunissage inégal ou cuisson excessive au bord des plaques.	<ol style="list-style-type: none"><li>1. Le four est trop chaud.</li><li>2. Trop grand nombre de grilles.</li></ol>	<ol style="list-style-type: none"><li>1. Réduire la puissance du réglage de température (se reporter au Guide de cuisson).</li><li>2. Réduire le nombre de grilles pour permettre une meilleure circulation.</li></ol>
Aliments qui inclinent d'un côté de la plaque ou qui renversent.	<ol style="list-style-type: none"><li>1. Four dénivélé.</li><li>2. Tôles gauchies.</li></ol>	<ol style="list-style-type: none"><li>1. Nivelier les grilles du four latéralement et de l'avant vers l'arrière. Celles-ci doivent être parfaitement droites d'un côté à l'autre et 3 mm (1/8 po) plus basses à l'avant qu'à l'arrière.</li><li>2. Séparer les plaques à pâtisserie des plaques tout usage. Si une plaque a tendance à gauchir, ne plus l'utiliser.</li></ol>
Flétrissement excessif.	<ol style="list-style-type: none"><li>1. Manque d'eau dans le four.</li><li>2. Température de rôtissage trop élevée.</li></ol>	<ol style="list-style-type: none"><li>1. Placer un bac d'eau de 305 x 508 x 25 mm (12 x 20 x 1 po) dans le bas du four.</li><li>2. Réduire la température.</li></ol>

## SERVICE DE L'ENTRETIEN ET PIÈCES DE RECHANGE

Pour tout renseignement sur l'entretien ou les pièces de ce four, communiquer avec le service de l'entretien WOLF le plus près. Pour une liste complète de nos succursales de service de l'entretien et de pièces autorisées, visiter notre site Web à l'adresse : [www.wolfequipment.com](http://www.wolfequipment.com).