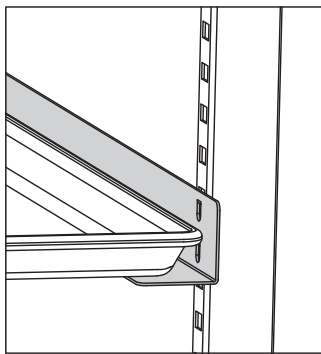


REFRIGERATOR MANUFACTURER
Turbo air
 more durable, efficient, beautiful

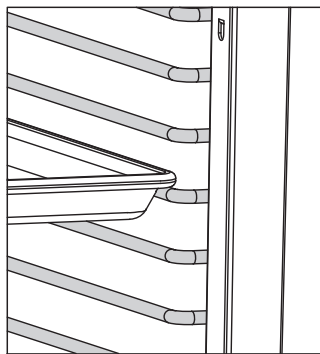
4184 E. Conant St.
 Long Beach, CA 90808
 Tel. 310-900-1000
 Fax. 310-900-1077
www.turboairinc.com

Project :	
Model # :	
Item # :	Qty :
Available W/H :	
Approval :	

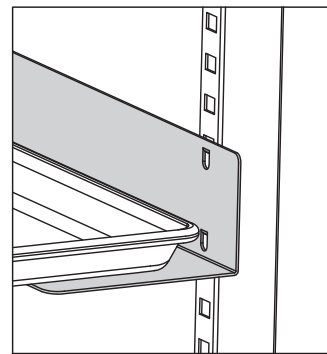
Tray Slides Kits for PRO Series Reach-in



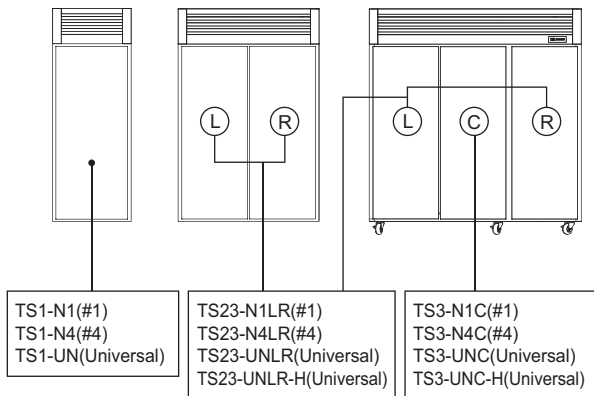
#1 Tray Slides
 16 ga. stainless steel angle type
 for bottom support of;
 (1) 18"x26" Pan or (2) 14"x18" Pans



#4 Tray Slides
 Stainless steel rod type for rim
 support of;
 (1) 18"x26" Pan



Universal Tray Slides
 16 ga. stainless steel angle type
 for bottom support of;
 (1) 18"x26" Pan or (2) 14"x18" Pans or
 (3) 12"x20" Pans



Part Code	Description
TS1-N1(#1)	(9) pairs #1 tray slides and pilasters for PRO-26
TS1-N4(#4)	(2) pairs #4 tray slides and pilasters for PRO-26
TS1-UN(Universal)	(7) pairs universal tray slides and pilasters for PRO-26
TS23-N1LR(#1)	(9) pairs #1 tray slides and pilasters for PRO-50 & PRO-77 left or right section
TS23-N4LR(#4)	(2) pairs #4 tray slides and pilasters for PRO-50 & PRO-77 left or right section
TS23-UNLR(Universal)	(7) pairs universal slides and pilasters for PRO-50 & PRO-77 left or right section
TS23-UNLR-H(Universal)	(7) pairs universal tray slides and pilasters for PRO-50 & PRO-77 left or right section (Heated Cabinet only)
TS3-N1C(#1)	(9) pairs #1 tray slides and pilasters for PRO-77 middle section
TS3-N4C(#4)	(2) pairs #4 tray slides and pilasters for PRO-77 middle section
TS3-UNC(Universal)	(7) pairs universal tray slides and pilasters for PRO-77 middle section
TS3-UNC-H(Universal)	(7) pairs universal tray slides and pilasters for PRO-77 middle section (Heated Cabinet only)
H26R104460	(1) Pair of #1 Tray Slides
H26R104470	(1) Pair of Universal Tray Slides