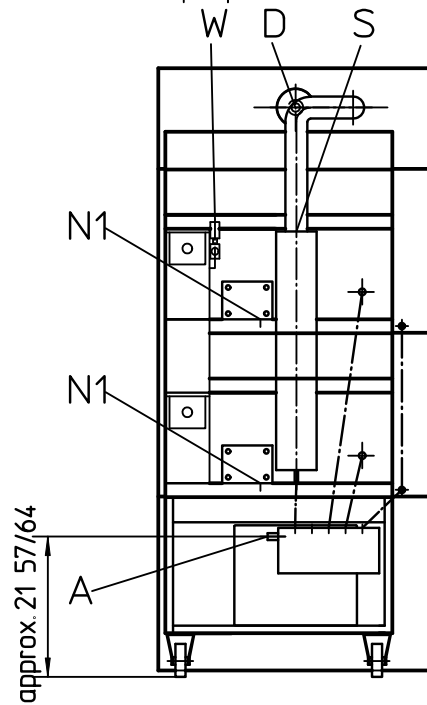
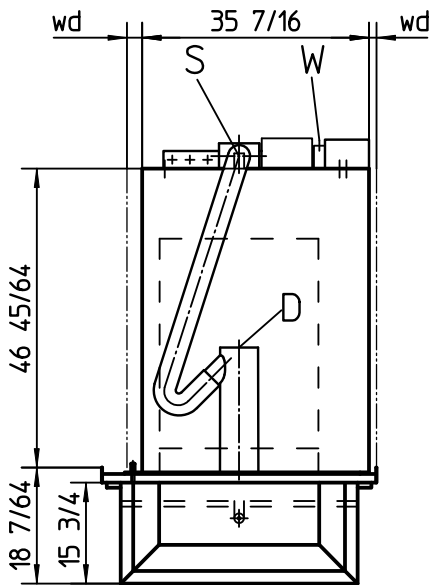
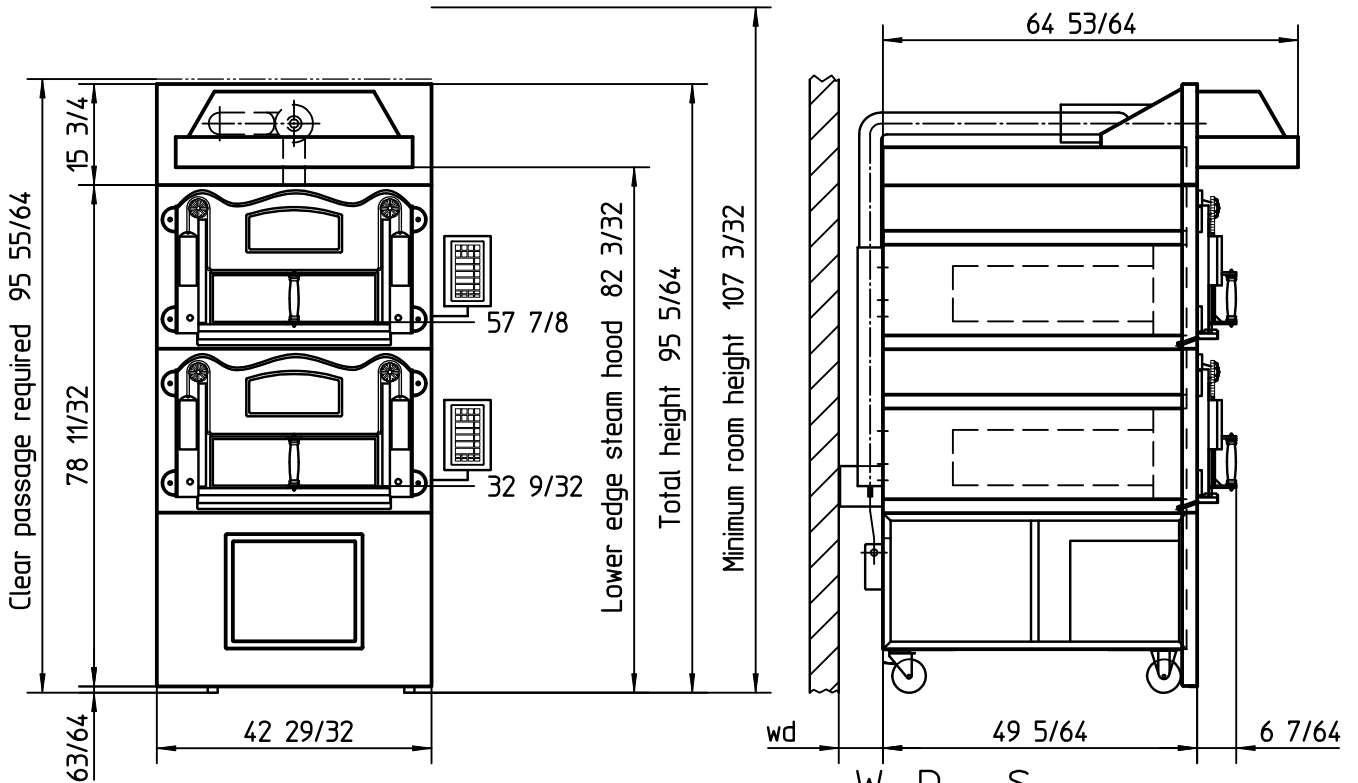


# Wenz 1919 2H: Type condo 2.0608

with steam hood



wd: Necessary minimum distance to walls:  
 to the installation side 1 3/16, opposite  
 the installation side 2 23/64,  
 to the rear side 6 57/64.

Water discharge provided by customer:  
 Minimum nominal diameter 1 31/32!

Total weight without baking trays: approx. 620kg

- A Water discharge nom.diam. 1 7/64
- D Steam hood nom.diam. 5 29/32
- N1 Power supply 5,8 kW (3x20A)\*
- N Total power supply with MIWE fuse box 11,6 kW (3x40A)\*
- S Steam discharge nom.diam. 3 5/32
- W Water supply R3/4"

\* Protection by fuses with 208V; 3/-/PE; 60Hz

We reserve the right to change any technical specifications!

Transmission, reproduction, utilization and communication of these technical data are not permitted unless expressly authorized by MIWE. Any noncompliance will result in obligation to pay damages. All rights reserved in the event of a patent grant or registration as a utility model.



Datum	01.03.18	Name	V. Shirin.
Bearbeiter	18.06.19	Maßstab	1:30
Geprüft	18.06.19	Freig-Staf	Johne Da.
Freigegeben	18.06.19		Johne Da.