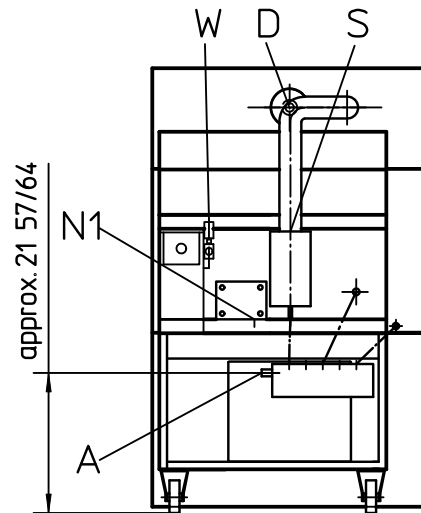
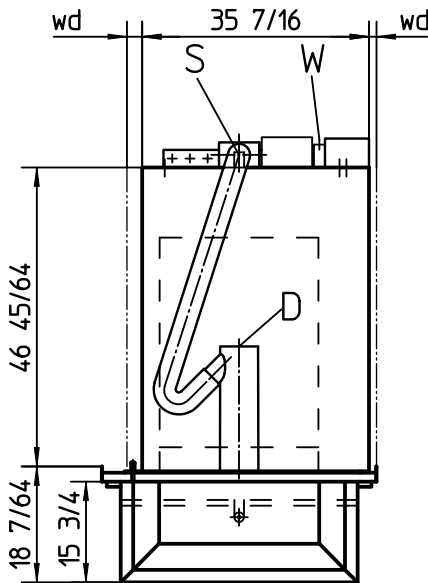
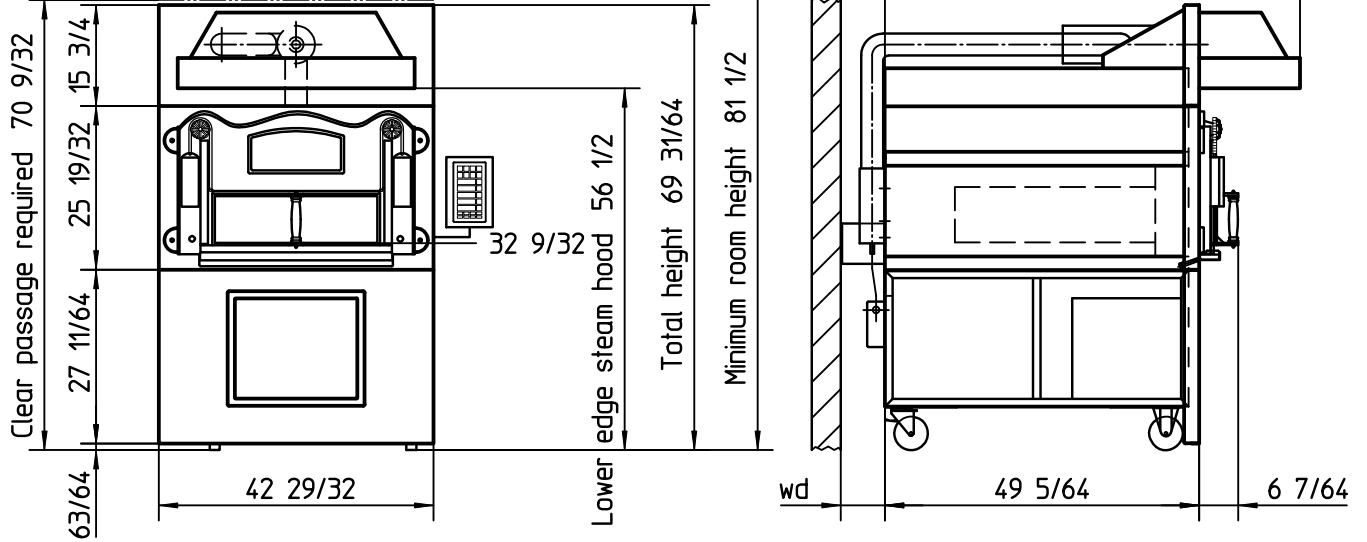


Wenz 1919 1H: Type condo 1.0608

with steam hood

In case of a clear headroom (lower edge of steam hood) of less than < 1900 mm, please note our enclosed leaflet "Product Characteristics No. 17".



wd: Necessary minimum distance to walls:
 to the installation side 1 3/16, opposite
 the installation side 2 23/64,
 to the rear side 6 57/64.

Water discharge provided by customer:
 Minimum nominal diameter 1 31/32!

Total weight without baking trays: approx. 400kg

- A Water discharge nom.diam. 1 7/64
- D Steam hood nom.diam. 5 29/32
- N1 Power supply 5,4 kW (3x20A)*
- S Steam discharge nom.diam. 3 5/32
- W Water supply R3/4"

* Protection by fuses with 208V; 3/-/PE; 60Hz

We reserve the right to change any technical specifications!
 Figure may differ from actual model!

Datum	16.09.24	Name	Dehmer B.
Bearbeiter	16.09.24	Maßstab	1:30
Geprüft	16.09.24	Freig-Stat	Johne Da.
Freigegeben	16.09.24		Johne Da.

Transmission, reproduction, utilization and communication of these technical data are not permitted unless expressly authorized by MIWE. Any noncompliance will result in obligation to pay damages. All rights reserved in the event of a patent grant or registration as a utility model.