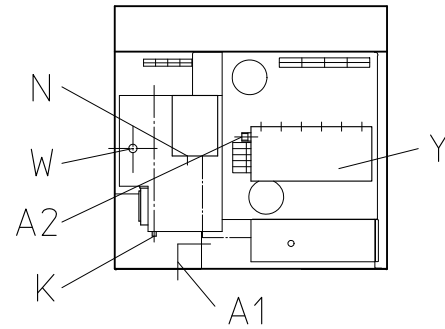
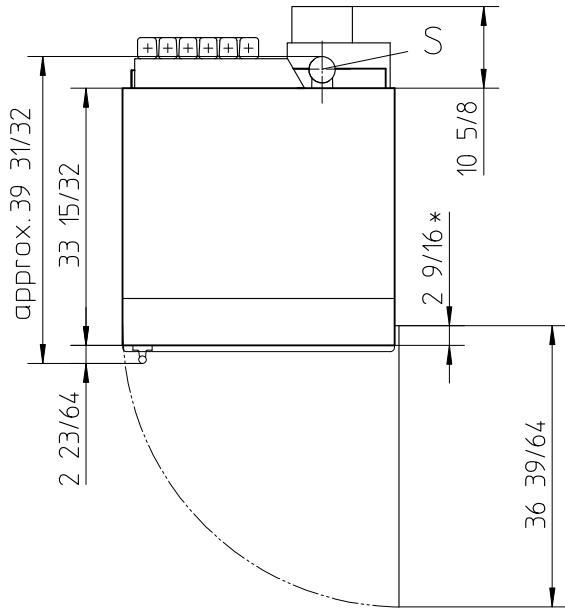
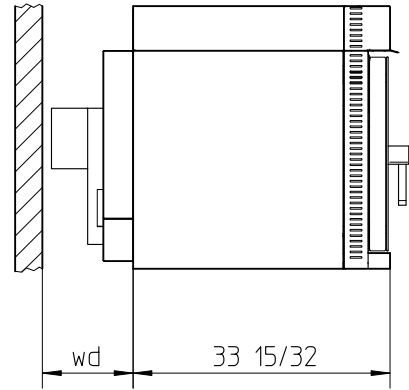
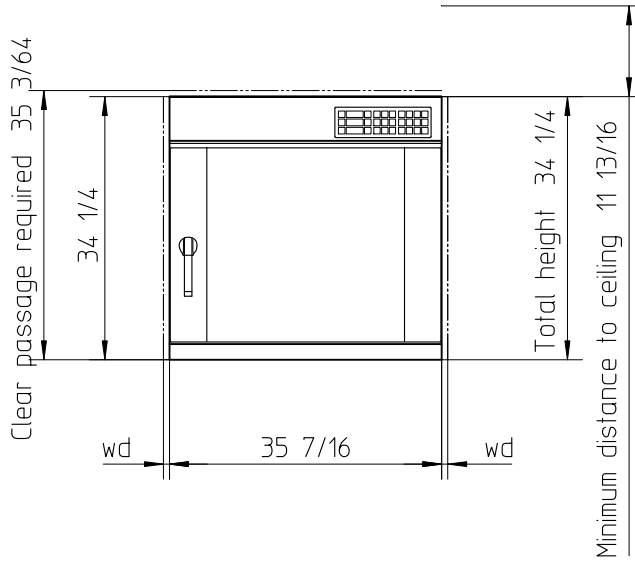


MIWE econo Type EC 6.1826



wd: Necessary minimum distance to wall:
to the side 25/32,
backwards 11 13/16.

* The customer should not install any
covering in this area!

Note:
The door hinge (on the left or the right side)
is to be carried out according to the order!

Minimum inside width of the bring-in
opening: 35 53/64

Total weight without baking trays: approx. 185kg

- A1 Baking chamber water outlet 3/4 hose
-for model with CC with drain to
on-site pipe - not to siphon
- A2 Water discharge nom.diam.1 7/64
- K Condensate discharge nom.diam.3/4
- N Power supply optional 9.9 kW (3x30A)**
- S Steam discharge nom.diam. 3 5/32
- W Water supply R3/4
- Y Siphon optional

** Protection by fuses with 208V; 3/-/PE; 60Hz
The information on protection by fuses does
not apply to special voltage!

Water discharge provided by customer:
minimum nominal diameter 1 31/32

We reserve the right to change any technical specifications!

Transmission, reproduction, utilization and communication of these technical data
are not permitted unless expressly authorized by MIWE. Any noncompliance will
result in obligation to pay damages. All rights reserved in the event of a
patent grant or registration as a utility model.



Datum	01.07.20	Maßstab	1:25
Bearbeiter	V. Shirin.	Freig-Staf	
Geprüft	23.07.20	Schn. Mi.	
Freigegeben	23.07.20	Schn. Mi.	